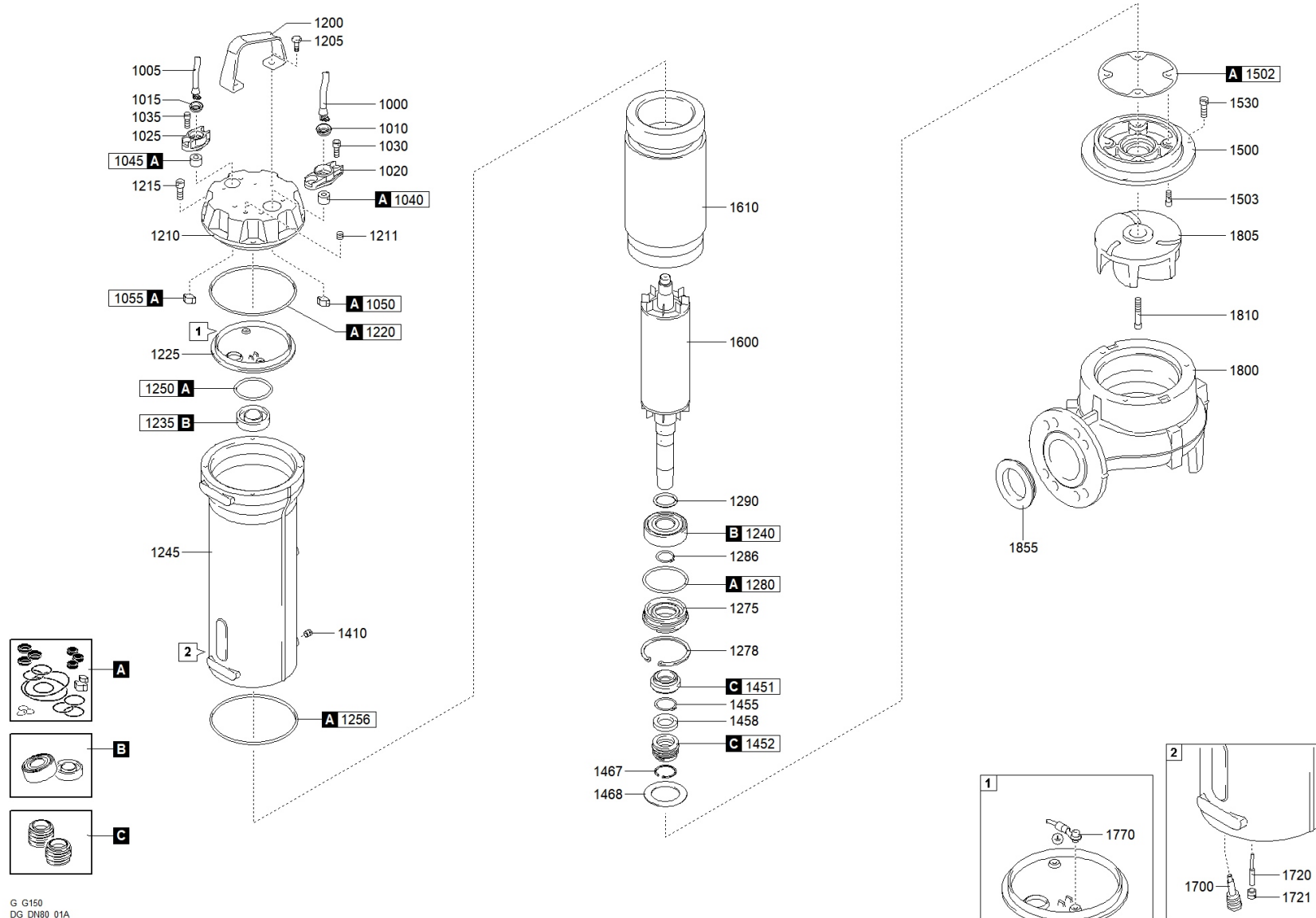




better together

1518.200 - DGG 550/2/80 NOFT5 NGTSB51040N00EX





better together



1518.200 - DGG 550/2/80 NOFT5 NGTSB51040N00EX

		Code	Description		Q.ty	Price (€)	
A		601053001	GASKETS KIT	806126	1		
C		602053091	MECHANICAL SEALS KIT	806128	1		
B		604053001	BEARINGS KIT	806132	1		
1000		25020340151000001	CAVO POTENZA	802306	1		
1010		235467216820	RING NUT [POWER CABLE]	711016 OR 802074	1		
1020		235424018990	CABLE GLAND [POWER CABLE]	711014	1		
1030		270831010203200000	SCREW - CABLE GLAND [POWER CABLE]	711028	2		
1040		235673222050	RUBBER GASKET [POWER CABLE]		1		
1050		2732001400000	COLLAR CLAMP [POWER CABLE]	802081	1		
1200		235232426544	HANDLE		1		
1205		270830810201200000	SCREW [HANDLE >> COVER]	802319	2		
1210		2321171EX27210	COVER		1		
1211		270139510104000003	CAP [TIGHTNESS TEST]		1		
1215		270830810203200000	SCREW [COVER >> MOTOR CASE]	802093 OR 802095	6		
1220		271770151035000000	GASKET [COVER >> UPPER BEARING HOLDER]		1		
1225		230657125859	UPPER BEARING HOLDER		1		
1235		2729063050400000	UPPER BEARING	710969	1		
1240		2729063070200000	LOWER BEARING	802297	1		
1245		2310171EX28578	MOTOR CASE		1		
1250		271770061026000000	GASKET [UPPER BEARING]		1		
1256		271770145018000000	GASKET [MOTOR CASE >> PUMP PLATE]		1		
1275		23915087037027879	LOWER BEARING FLANGE		1		
1278		270320880200000	SEEGER [LOWER BEARING FLANGE]	802289	1		
1280		271770073035000000	GASKET [LOWER BEARING FLANGE]	711000	1		
1286		270330350100000	SEEGER [LOWER BEARING >> LOWER BEARING FLANGE]	802290	1		
1290		270220350452500000	DISTANCE RING [LOWER BEARING]	802312	1		
1410		270139510104000003	CAP [OIL CHAMBER]		1		
1451		230000010300000000	1st MECHANICAL SEAL		1		
1452		230001810300000000	2nd MECHANICAL SEAL		1		
1455		270330300100000	SEEGER [1st MECHANICAL SEAL >> 2nd MECHANICAL SEAL]	802102	1		
1458		23916100080027891	DISTANCE RING [1st MECHANICAL SEAL >> 2nd MECHANICAL SEAL]		1		
1467		270320620200000	SEEGER [2nd MECHANICAL SEAL]		1		
1468		270534161109027893	DISTANCE RING [2nd MECHANICAL SEAL]		1		
1500		236211603027886	PUMP PLATE		1		
1502		2750913427043	GASKET [PUMP PLATE]		1		
1503		270830810203200000	SCREW [PUMP PLATE >> MOTOR CASE]	802093 OR 802095	6		
1530		270830810203200000	SCREW [PUMP PLATE >> PUMP BODY]	802093 OR 802095	6		
1600		2302351128EX27835	SHAFT WITH ROTOR		1		

1610	231101283003000000	WOUND STATOR		1
1700	25072200000000	HUMIDITY PROBE [OIL CHAMBER]		1
1770	2500000001800072	GROUND CABLE CONNECTOR		1
1800	21251416030527950	PUMP BODY		1
1805	21411401400823343	IMPELLER	802304	1
1810	270831010303200000	LOCKING IMPELLER	711029	1
1855	2750730403100	DISCHARGE GASKET	711032	1